



Type B76DV-...

Type B86DV-...

The palm grip B 7 is an actuating element for our multi-axis controller V 8, VV 8, V 6, VV 6, VV 5 design left, B 8 for design right.
It can also be used as an actuating element for hydraulic drives.
Push buttons, rocker switches, e.t.c., can also be fitted to suit appropriate requirements.

The palm grip has a highly flexible single wire 0,1 mm² x 450 mm long.

The mounting piece for the drive rod can be supplied with a tapped hole 12 or 10 mm (standard = 12 mm).

The palm grip B 7/8 is made of PA plastic and is black in colour.

Contact complement 0,5 A 110 V AC 15 or 1,5 A 24 V DC 13
I min > 0,2 mA 2 V DC 12 Gold plated for max. load of 0,12 Watt (standard)

Micro change over contacts available on request

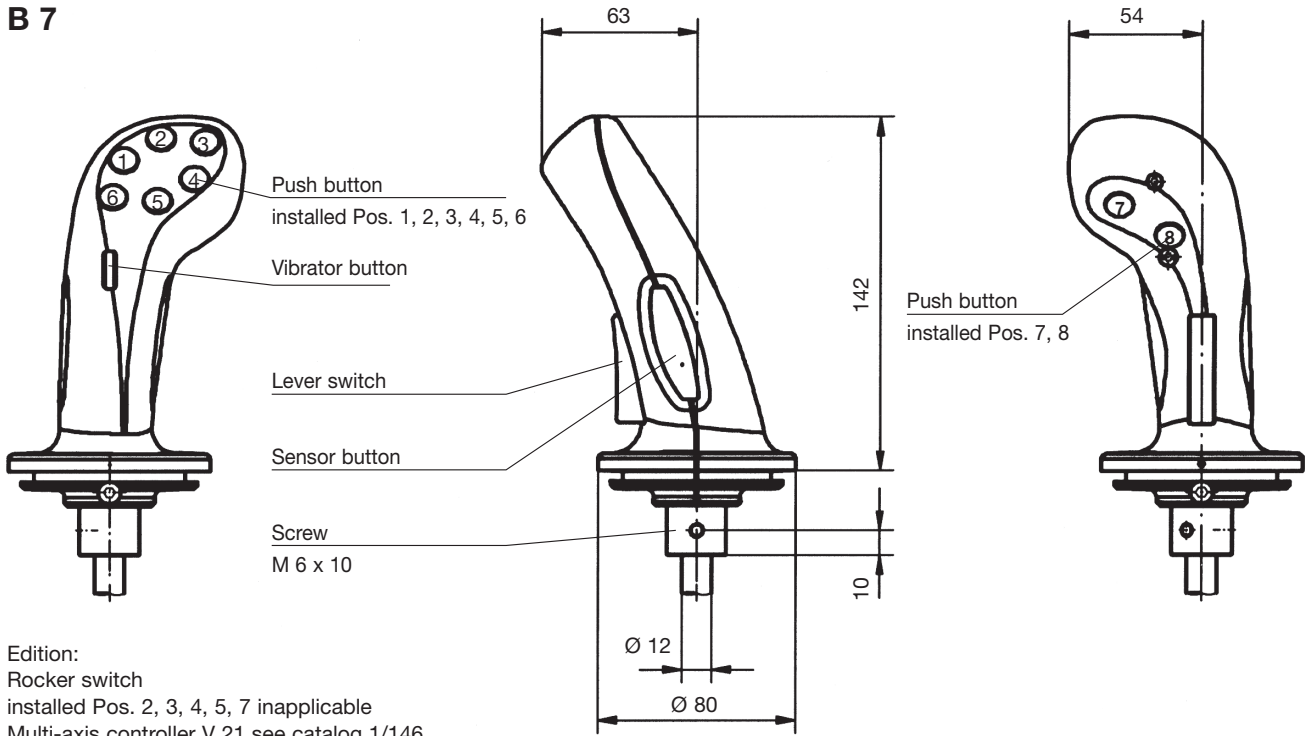
Permissible ambient temperature	Operating	-40°C to +60°C
	Storage	-50°C to +80°C

Climate resistance	IEC 60068-2-78
Damp heat constant	IEC 60068-2-30
Damp heat cyclic	IEC 60068-2-30
Degree of protection front	IP 65 IEC/IEC 60529

Pos.			Contact-complement	Weight gramm	Type	Price EURO
1	Palm grip with mounting piece for control-handle design left			200	B 7	
2	Palm grip with mounting piece for control-handle design right			200	B 8	
3	Push button installed Pos. 1, 2, 3, 4, 5, 6, 7, 8 color red RD, black BK, yellow YE, green GN, blue BU, white WH		1 normally open	20	D	
4	Rocker switch installed Pos. 2, 3, 4	KEM/59	2 normally open			
4.1	Rocker switch tip-0-tip T-0-T			30	W	
4.2	Rocker switch 0-tip 0-T			30	W	
4.3	Rocker switch rest-0-tip R-0-T			30	W	
4.4	Rocker switch rest-0-rest R-0-R			30	W	
4.5	Rocker switch 0-rest 0-R			30	W	
4.6	Rocker switch rest - rest R - R			30	W	
7	Lever switch		1 normally open	30	K	
20	Vibrator button actuating through solenoid 24 V DC impulse signal 100% duty cycle factor			60	V	
21	Sensor button and/or annexed with a regulator electronic board EY / 42-10 or -11 24 V DC (separate)			20	SE	
22	Multi-axis controller V 21 see catalog 1/146 installed Pos. 1-4					
30	Bellow for palm grip B 7/8 required for multi-axis controller V 8, VV 8	KMD 109				
31	Bellow for palm grip B 7/8 and front plate with 4 screws M5 x 15 (for mounting the bellow) required for multi-axis controller V 6, VV 6, VV 5	KMD 190 KBF 905				
32	Pressure cap protection IP 67 for push button Pos. 3 color red RD, black BK, yellow YE, green GN, blue BU	KMD 179				

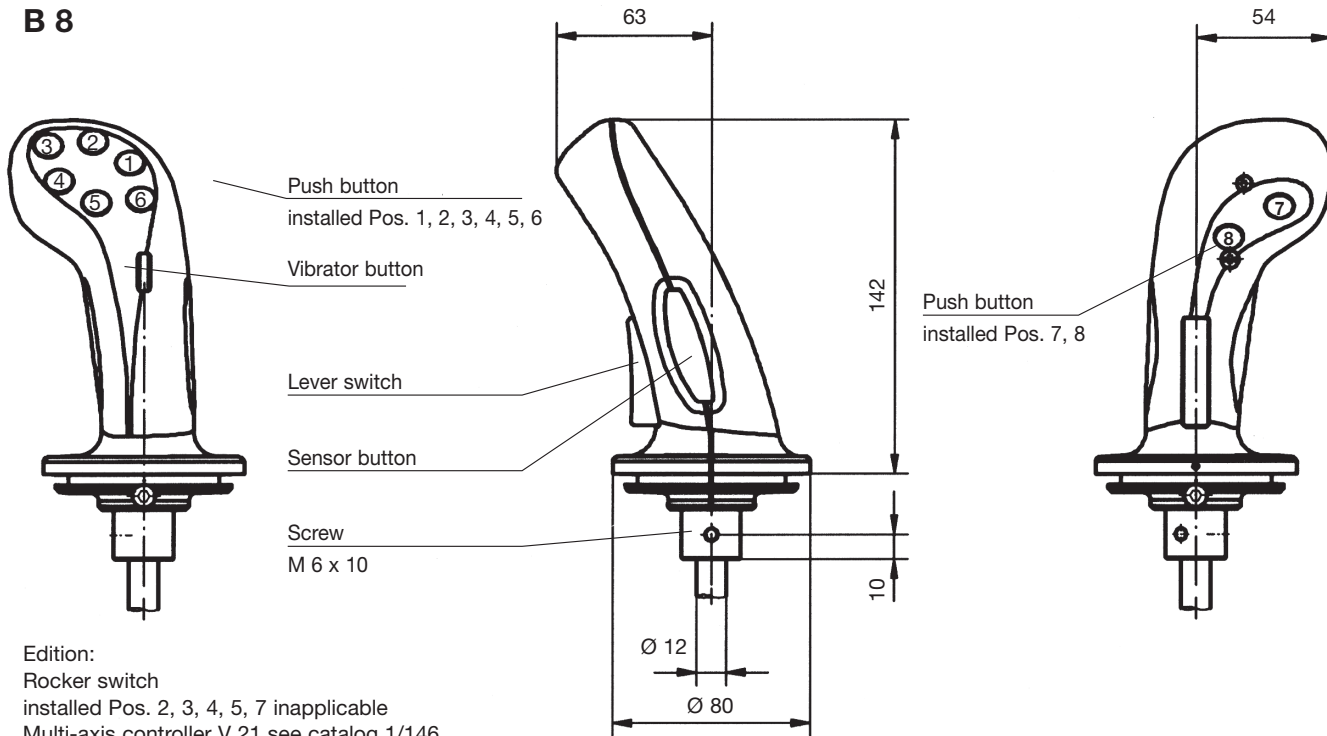


B 7



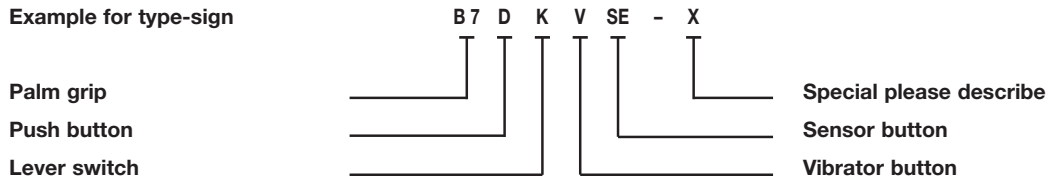
Edition:
Rocker switch
installed Pos. 2, 3, 4, 5, 7 inapplicable
Multi-axis controller V 21 see catalog 1/146
installed Pos. 1, 2, 3, 4 inapplicable

B 8



Edition:
Rocker switch
installed Pos. 2, 3, 4, 5, 7 inapplicable
Multi-axis controller V 21 see catalog 1/146
installed Pos. 1, 2, 3, 4 inapplicable

Example for type-sign



- Palm grip
- Push button
- Lever switch

- Special please describe
- Sensor button
- Vibrator button