

# Palm grip B29



The palm grip B29 has different equipment options for many requirements. It is compatible with our multi-axis and single-axis controller or mounted on hydraulic drives. The palm grip has a highly flexible single wire (0,1 qmm, 450 mm long). The mounting piece for the drive rod can be supplied with a tapped hole 12 mm (standard) or 10 mm.



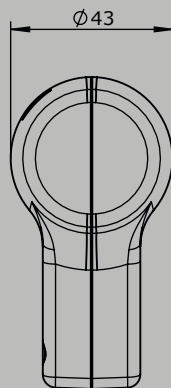
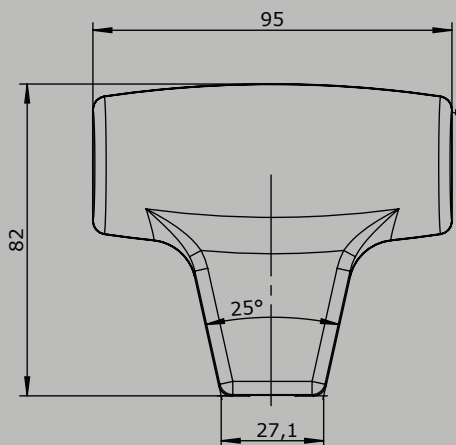
### Technical data

Operating temperature	-40°C til +60°C
Degree of protection	IP 65
Contact complement	0,1A 24VDC13

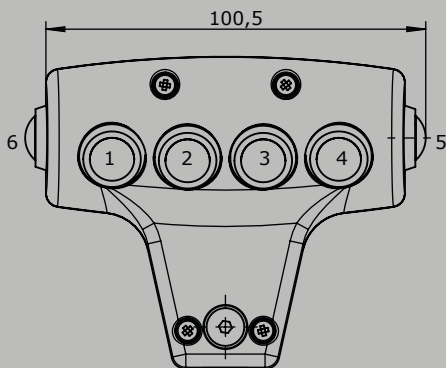
	Example		
	B29	- 2D	- X
<b>Basic unit</b>			
B29 Palm grip			
<b>Digital actuating element</b>			
D Push button KDA21 Colour: red, black, yellow, green, blue, white, orange			
SE Sensor button capacitiv with external control electronics			
S Sensor button capacitiv without external control electronics (consistent with V85/VV85 and V25 with interface E4xx+E5xx)			
<b>Special model</b>			
X Special / customer-specific			



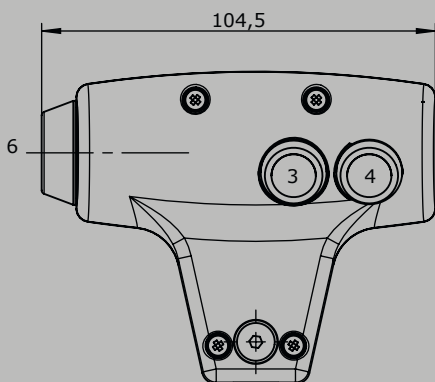
**B29**



Edition:  
Push button installed Pos. 1-6



Edition:  
Sensor installed Pos. 6,  
Push button installed Pos. 3,4



Edition:  
Sensor installed Pos. 5,  
Push button installed Pos. 1,2

