

Type U22/32/FD/HD/IA/RS/-...

The control pedestal U 22/32 accommodates the devices necessary for control and monitoring.

Ready wired, it can be quickly and easily installed on the sea deck.  
The housing (pedestal head) is made of seawater-resistant aluminium.

**Contact complement 2 A 250 V AC 15 or 1 A 24 V DC 13 (standard)  
or 4 A 250 V AC 15 (special) with positive opening operation**

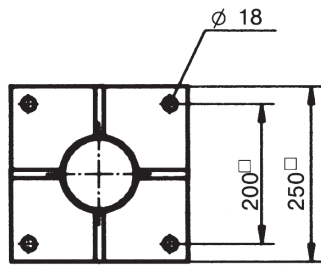
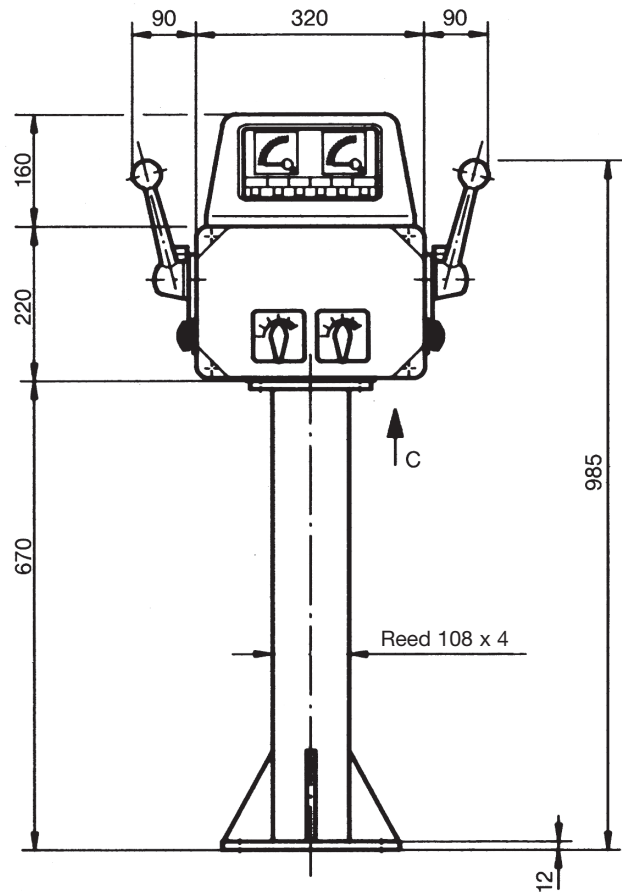
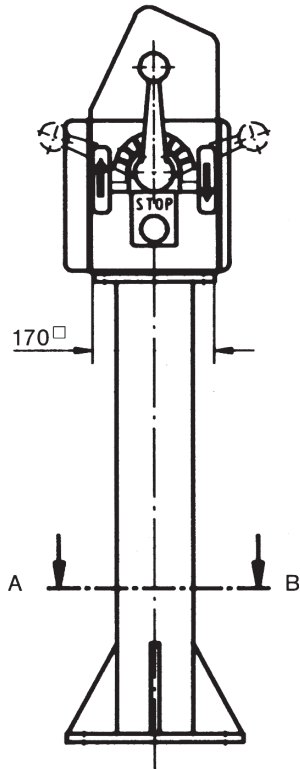
Surface treatment: Anti-corrosion primer, top coat: two coats of epoxy-resin paint, standard colour RAL 7032 pebble-grey textured varnish

All non-painted metal parts are electrogalvanized and chromed.  
All mechanical operating parts are made of non-rusting materials.

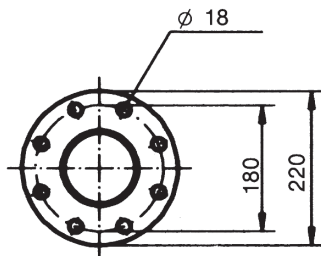
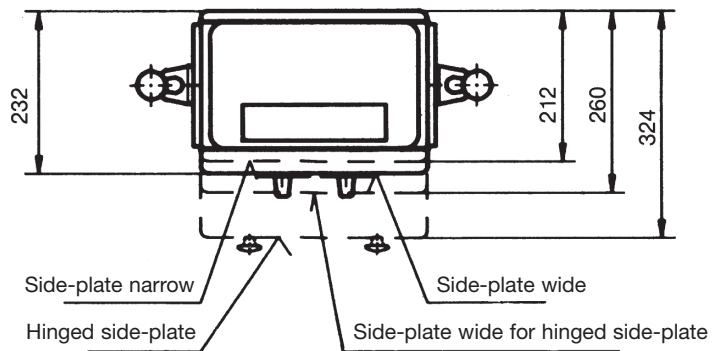
Permissible ambient temperature                      Operation -40° C to +60° C  
Storage    -50° C to +80° C

Climate resistance  
Damp heat constant    IEC 60068-2-78  
Damp heat cyclic    IEC 60068-2-30  
Degree of protection    IP 66 IEC/EN 60529

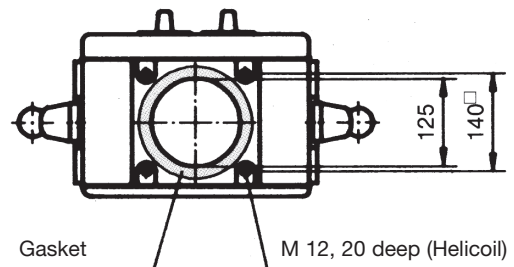
Pos.			Weight kg	Type	Price EURO
1	Housing U 22 / 32 with 1 narrow side-plate with pillar-gasket		6,8	U22/32	
2	Side-plate narrow gasket		1,8	FD	
3	Side-plate wide with gasket (required for command and indicating devices Pos. 22-26)		2,4	HD	
4	Hinged side-plate with gasket that can be locked in position (cover for command and indicating devices)		4,0	KD	
5	Monitoring devices cover with gasket for max. 2 monitors 72 x 72 mm or 4 monitors 72 x 36 mm and max. 6 indicating devices Pos. 28, 29		2,9	IA	
6	Pillar 108 mm ø 670 mm height with flange quadratic or round		18,8	RS	
10	Masterswitch with 6 contacts, with spring return in 0-position with ball handle and indicating labels drive		2,0	N61-HG-03Z	
11	Control-switches with 4 contacts with knob and indicating label		0,7	N62-KN-02 ± 01	
12	Additional or subtract price each 2 contacts				
13	more variants see catalog 1/230				
14	Wire-wound potentiometer T 130 with centre tap linear life 10 <sup>7</sup> switching cycles resistance 2 x 0,5 / 1 / 2 / 5 / 10 kOhm 1,5 Watt wiper current max. 10 mA		0,07	P	
15	more potentiometer see catalog 1/240ff				
16	Control-switch with 4 contacts with knob and indicating label	protection IP67	0,4	RWSE	
17	Additional or subtract price each 2 contacts				
20	Heating    20 Watt 220 or 110 V / 50/60 Hz		0,15	H	
21	Mushroom head push button latching 22 with indicating label	1 NC	0,1	PV	
22	Mushroom head push button                      22 with indicating label	1 NO	0,1	P	
23	Push button    22 with indicating label	1 NO	0,1	D	
24	Selector switch 0-1                                      22 with indicating label	1 NO	0,1	W	
25	Indicator light    22 with indicating label	Diode 24 Volt	0,1	L	
26	Indicator light    22 with indicating label	Diode 230 Volt AC	0,1	L	
27	Contact block additional	1 NO or 1 NC			
28	Indicator light    22 with indicating label	Diode 24 Volt protection IP65	0,05	L	
29	Indicator light    10 with indicating label	Diode 24 Volt protection IP65	0,03	L	
35	Power monitoring                                      PQ 72                      1 mA DC	Engraved your instructions	0,2	PQ	
36	Power monitoring                                      PQ 72 x 36              1 mA DC	Engraved your instructions	0,3	PQ	
37	Ampere monitoring                                      EQ 72                      100 / 200 / 1 A	Engraved your instructions	0,2	EQ	
38	Ampere monitoring                                      EQ 72 x 36              100 / 200 / 1 A	Engraved your instructions	0,3	EQ	
39	Monitoring illuminated	24 Volt			
40	Another electrical value are available				
45	Terminal block 2,5 mm <sup>2</sup> without wiring	each terminal		KL	
46	Terminal block 2,5 mm <sup>2</sup> with wiring wire 0,75 mm <sup>2</sup>	each terminal		KL	
47					
48					
49					
50	Engraving, each 10 characters				



View A - B



View A - B  
(option flange NW 100, DIN 2633)



View C